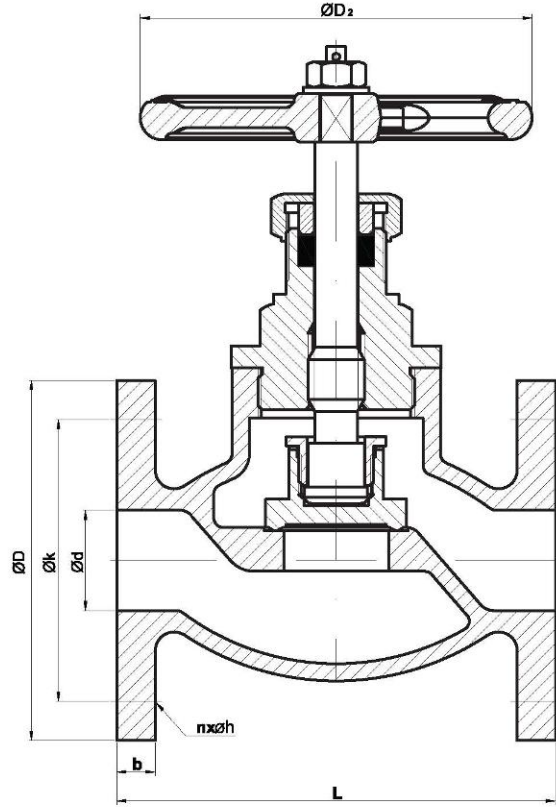


**JIS Tip Glob Vana (Bronz, Düz Tip) / JIS Type Globe Valve (Bronze, Straight Type)**



NO	PARÇA ADI	PART NAME	MATERIAL
1	GÖVDE	BODY	RG5
2	KLAPE	DISC	RG5
3	MİL	STEM	CuZn39Pb3
4	EMNİYET PULU	DISC LOCK WASHER	CuZn39Pb3
5	KLAPE SOMUNU	DISC NUT	CuZn39Pb3
6	KAPAK	BONNET	RG5
7	SALMASTRA	PACKING	GRAFİTE

NO	PARÇA ADI	PART NAME	MATERIAL
8	RİNG	RING	CuZn39Pb3
9	SALMASTRA SOMUNU	PACKING NUT	CuZn39Pb3
10	KİLİTLEME PULU	LOCK PLATE	CuZn39Pb3
11	VİDA	SCREW	CuZn39Pb3
12	HENDİL	HANDWHEEL	GG25
13	SOMUN & PUL	NUT & WASHER	CuZn39Pb3
14	KOPİLYA	SPLIT PIN	CuZn39Pb3

ÖLÇÜ	Ød	FLANŞ JIS 5K						FLANŞ JIS 16K						ØD <sub>2</sub>
		ØD	Øk	b	nxØh	L	KG	ØD	Øk	b	nxØh	L	KG	
15A	15	80	60	9	4x12	100	1,8	95	70	12	4x15	110	2,8	80
20A	20	85	65	10	4x12	110	3	100	75	14	4x15	120	4	100
25A	25	95	75	10	4x12	120	3,7	125	90	14	4x19	130	5	125
32A	32	115	90	12	4x15	140	5,3	135	100	16	4x19	160	7	125
40A	40	120	95	12	4x15	160	6,8	140	105	16	4x19	180	9	140
50A	50	130	105	14	4x15	210	11,8	155	120	16	8x19	220	13	160

**UYGULAMA ALANLARI / APPLICATIONS**

DENİZ SUYU, TATLI SU, YAĞ, BUHAR DEVRELERİNDE /  
SEA WATER, FRESH WATER, OIL, STEAM, SYSTEMS

BAĞLANTILAR / ENDS: JIS F7301 5K / JIS F7303 16K

VANA BOYUTLARI / VALVE DIMENSIONS: JIS F7400

ÇALIŞMA SICAKLIĞI / WORKING TEMP.: -10°C / 120°C

ÇALIŞMA BASINCI / WORKING PRESSURE: BODY 10.5 / SEAT 7.7 Kg / cm<sup>2</sup>